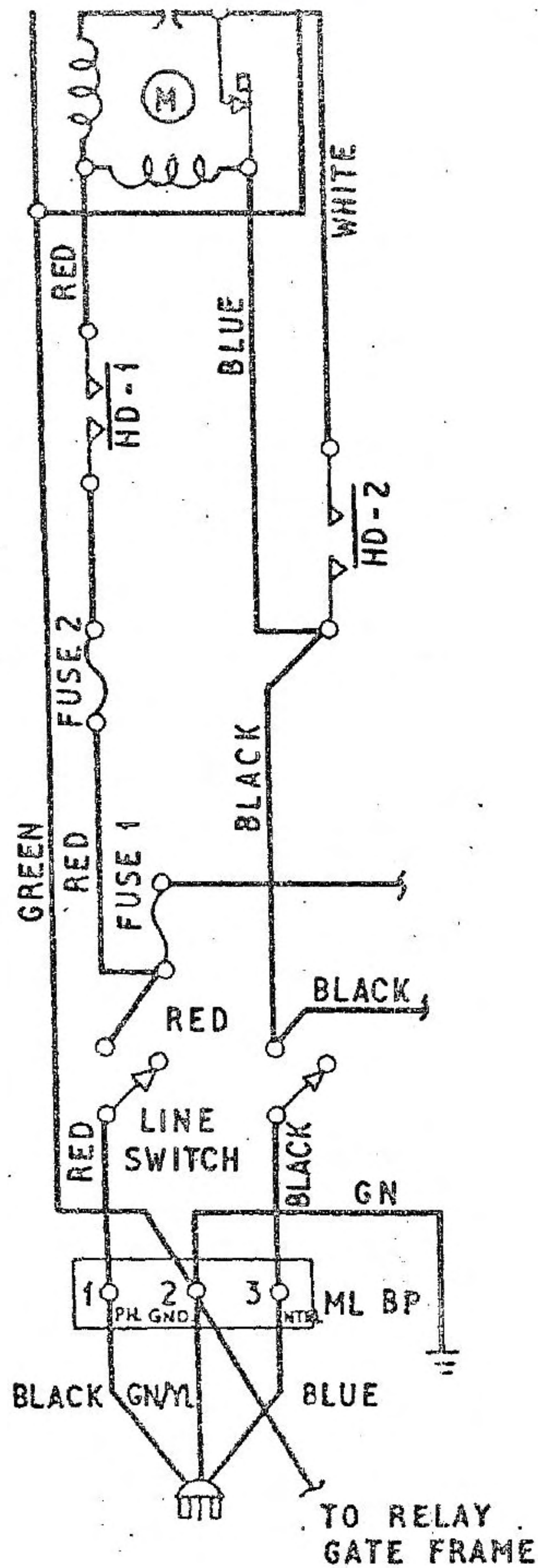


IBM

WIRING DIAGRAM

336001-H
SORTER (NUMERIC)
TYPE O83

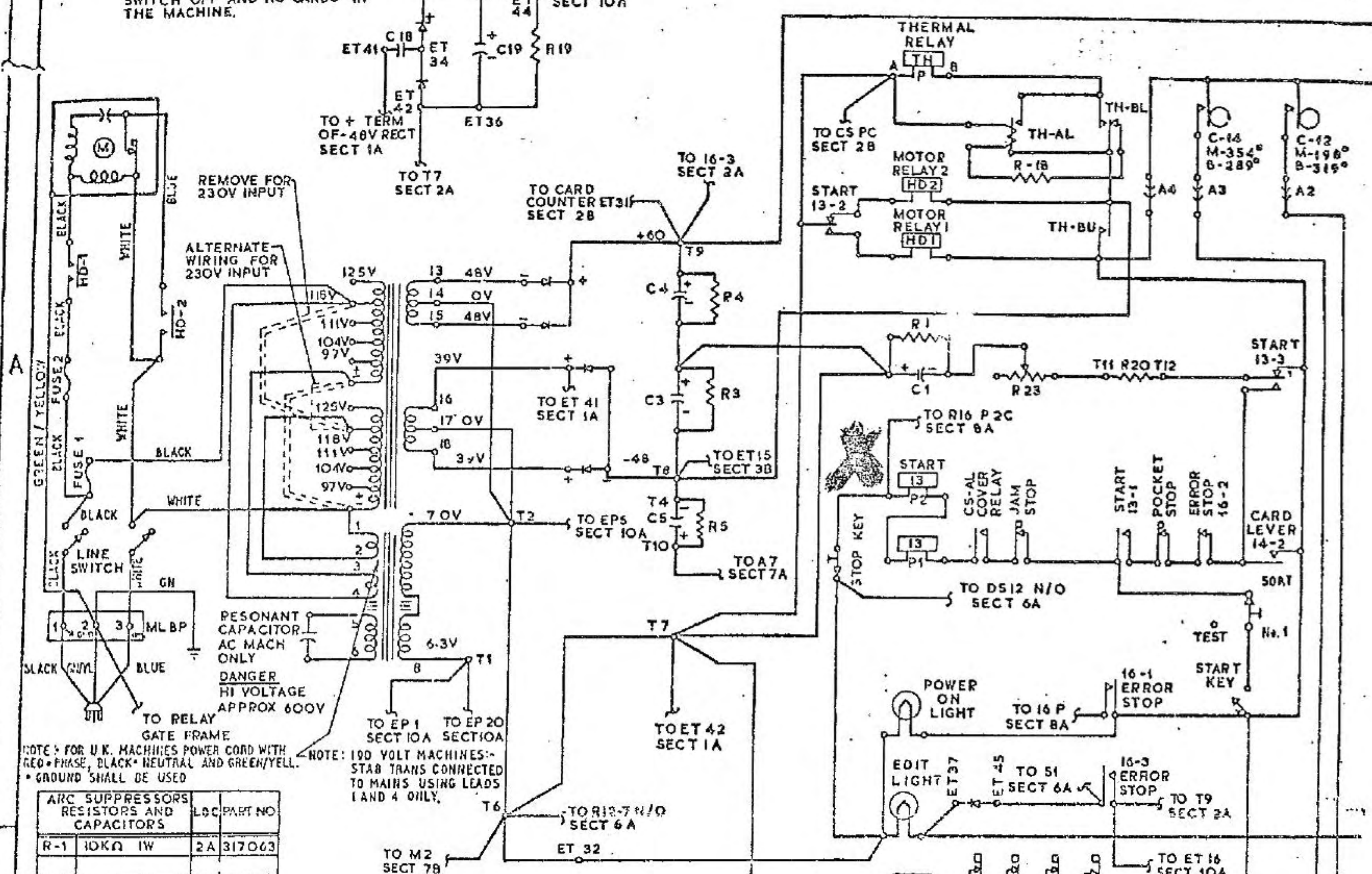
Sheet for Mark M.



NOTE:-

PRIMARY WIRING IS COLOUR CODED AS ABOVE AND NOT AS SHOWN ON SHEET 1A OF WIRING DIAGRAM AT TC: 62350

NOTE: WIRING DIAGRAM DRAWN WITH CB UNIT STOPPED AT 0th MAIN LINE SWITCH OFF AND NO CARDS IN THE MACHINE.



NOTE: FOR U.K. MACHINES POWER CORD WITH RED+PHASE, BLACK-NEUTRAL AND GREEN/YELL. GROUND SHALL BE USED

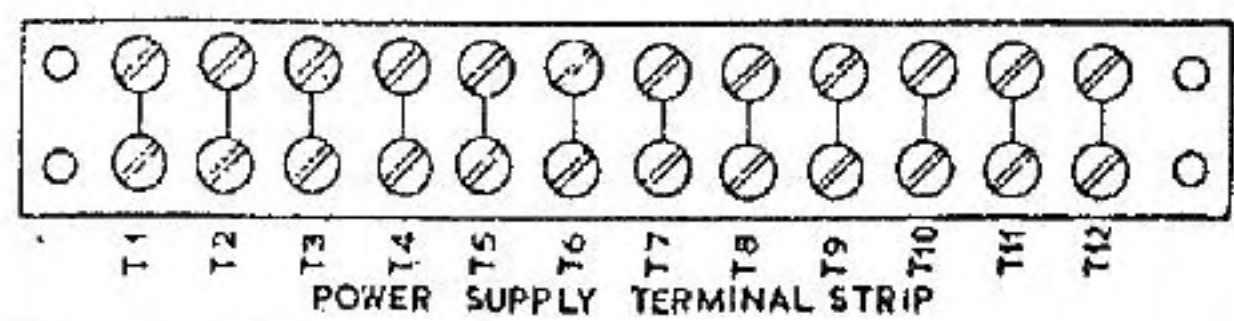
NOTE: 100 VOLT MACHINES: STAR TRANS CONNECTED TO MAINS USING LEADS 1 AND 4 ONLY.

ARC SUPPRESSORS RESISTORS AND CAPACITORS	LOC	PART NO
R-1	10KΩ 1W	2A 317063
R-2	500Ω 10W	2A 338571
R-3	1000Ω 10W	317 330
R-4	500Ω 10W	2A 338571
R-5	390Ω 2W	6 336567
R-6	240Ω 2W	2A 301881
R-7	15K 1W	1A 317434
R-8	390Ω 1W	2A 335019
R-9	10KΩ 2W	2A 317150
R-10	1000 MFD	2A 3100902
R-11	2500 MFD	2A 3100904
R-12	1000 MFD	2A 3100903
R-13	80 MFD	1A 252804
R-14	40 MFD	1A 225620

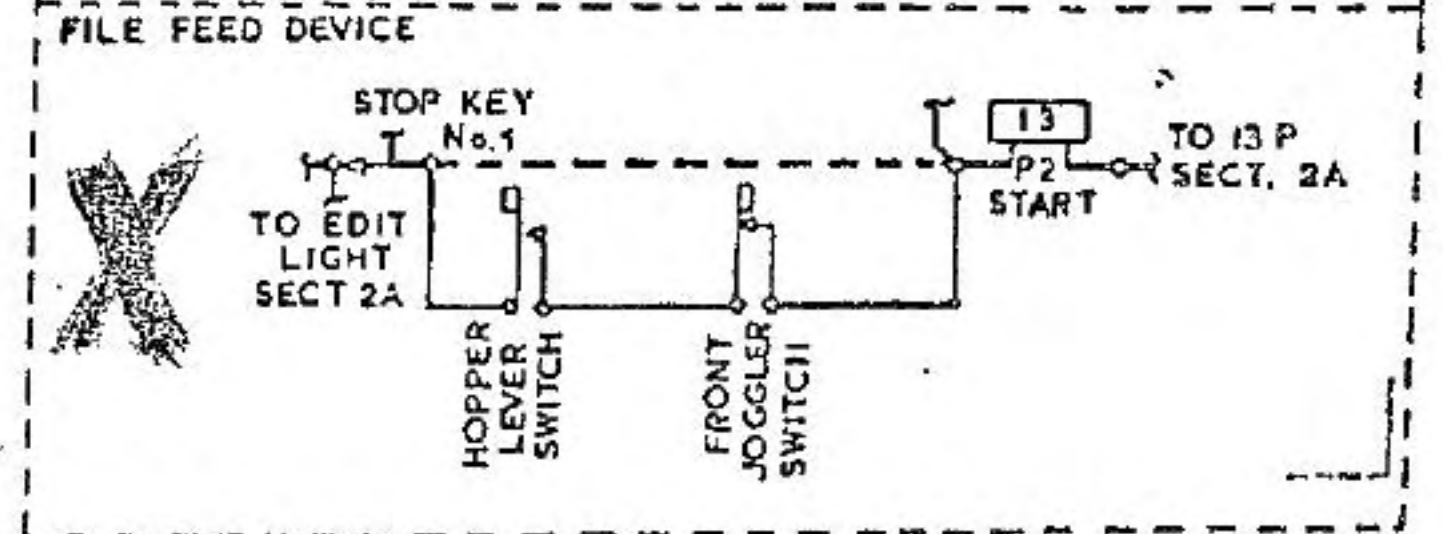
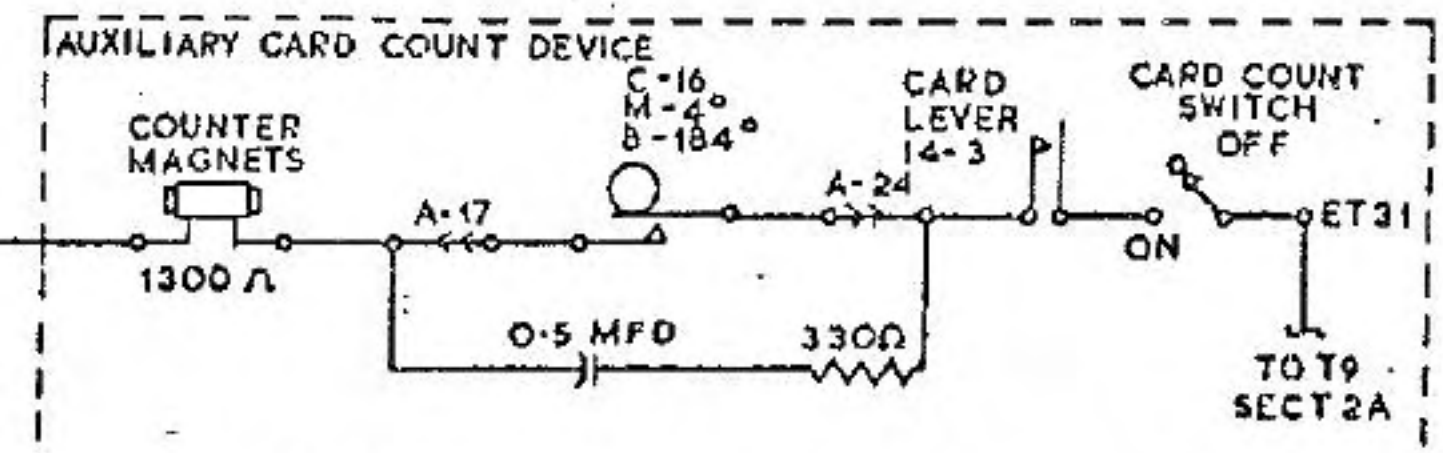
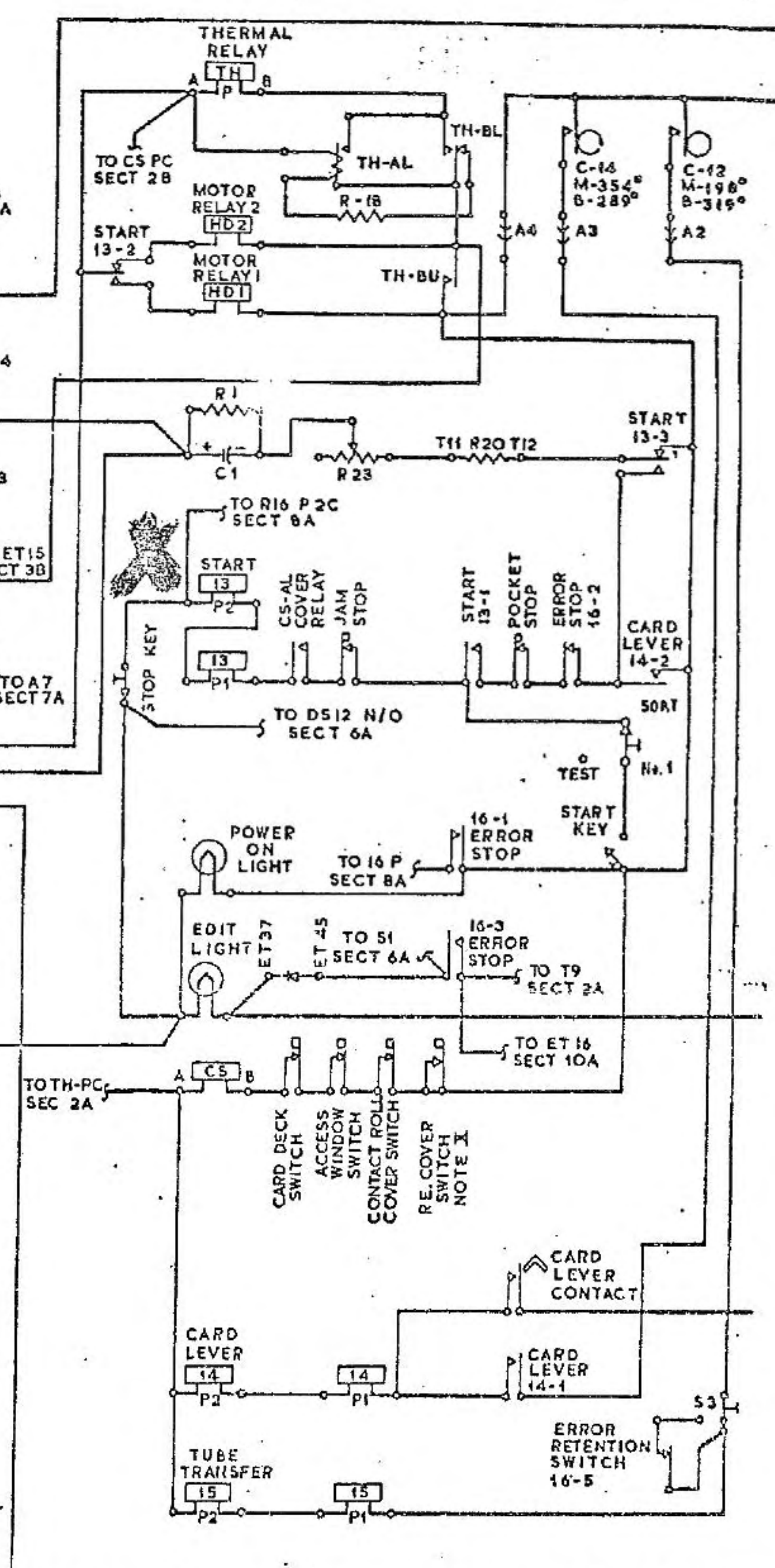
LINE VOLTAGE	TERM BLOCK TAP
93-100	97P
100-107	104P
107-114	111P
114-121	118P
121-130	125P
130-137	132P
137-144	139P
144-151	146P
151-158	153P
158-165	160P
165-172	167P
172-179	174P
179-186	181P
186-193	188P
193-200	195P
200-207	202P
207-214	209P
214-221	216P
221-228	223P
228-235	230P
235-242	237P
242-249	244P
249-256	251P

P-PRIMARY WINDINGS CONNECTED IN PARALLEL
S-PRIMARY WINDINGS CONNECTED IN SERIES.

RATED VOLTAGE	NO LOAD VALUE	MINIMUM UNDER LOAD
160 DC	60 TO 65	54
-48 DC	-49 TO -55	-46
6.3 AC	—	6.0
+105 DC	—	92

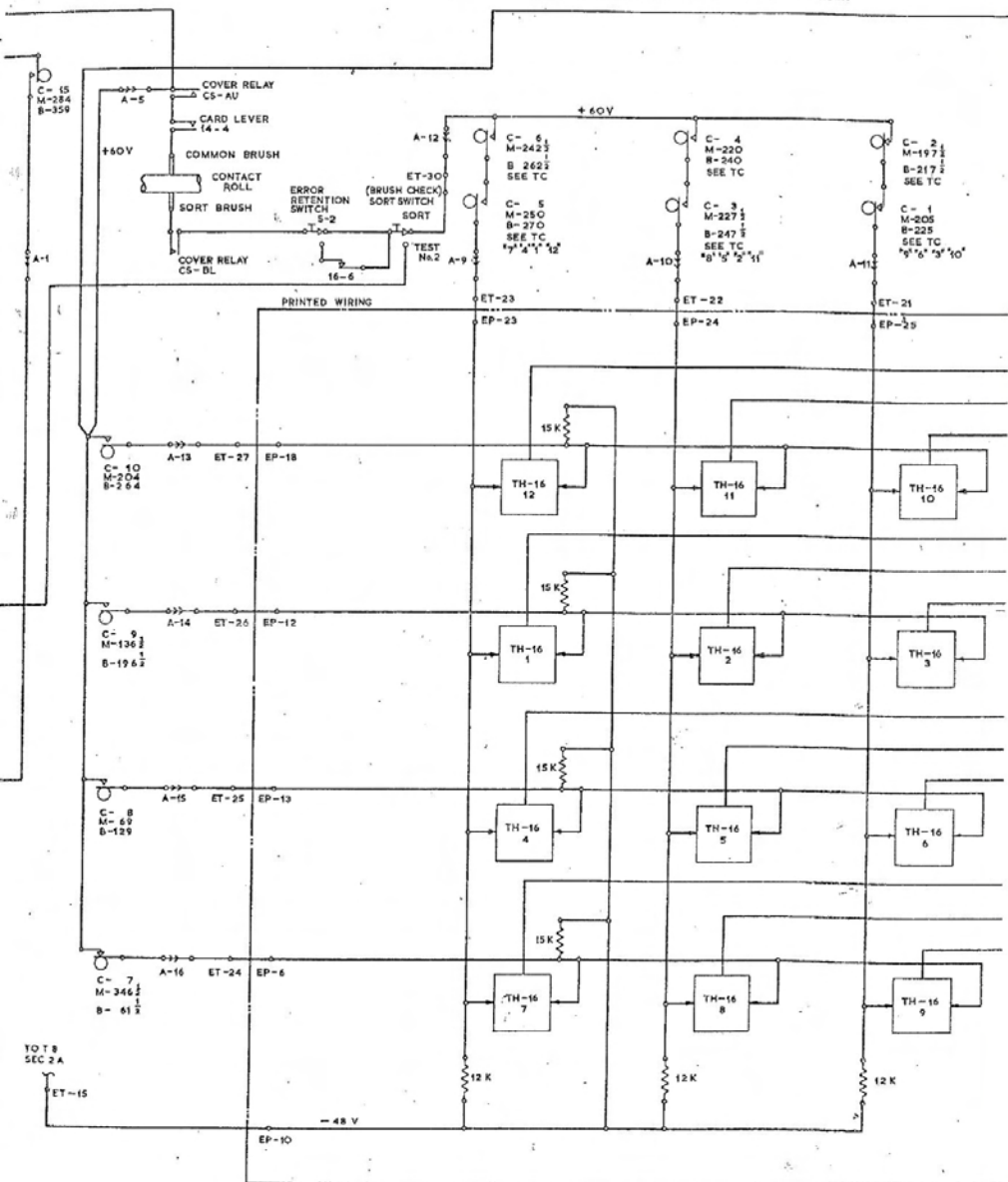


INPUT	FUSE 1	FUSE 2	MOTOR	
VOLTS	CYCLE	PART NO. VALUE	PART NO. VALUE	PART NO.
115	60	92734 2ALT 107666	5ALT 3104572	
230	60	228391 6ALT 107663	5ALT 3104572	
110	50	92734 2ALT 107666	5ALT 3104572	
127	50	92734 2ALT 107666	5ALT 3104572	
200	50	228391 6ALT 107663	5ALT 3105269	
220	50	228391 6ALT 107663	5ALT 3106372	
240	50	228391 6ALT 107663	5ALT 3104573	

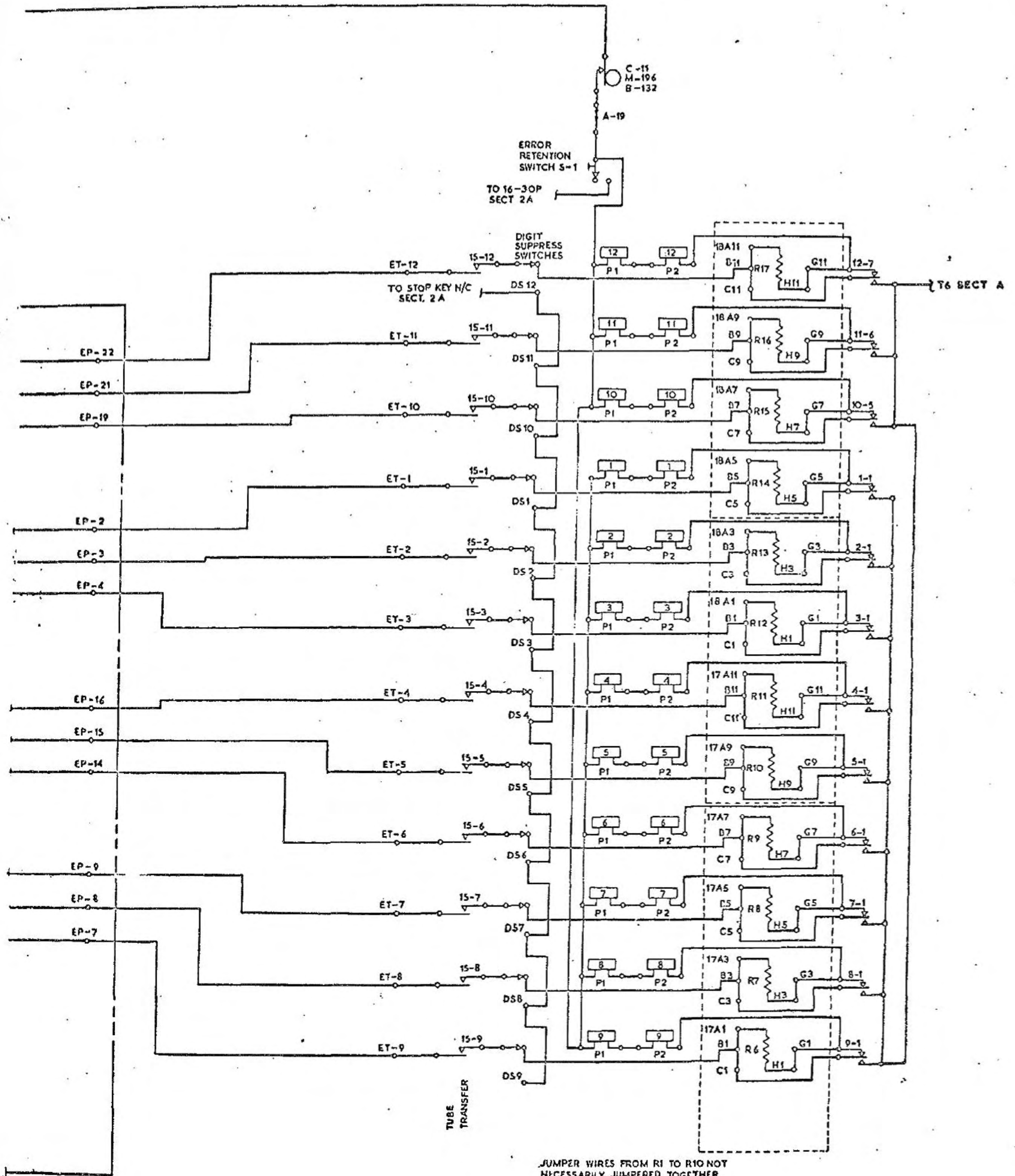


NOTE X U.K. MACHINES ONLY

CAMS NOT NECESSARILY JUMPED TOGETHER AS SHOWN

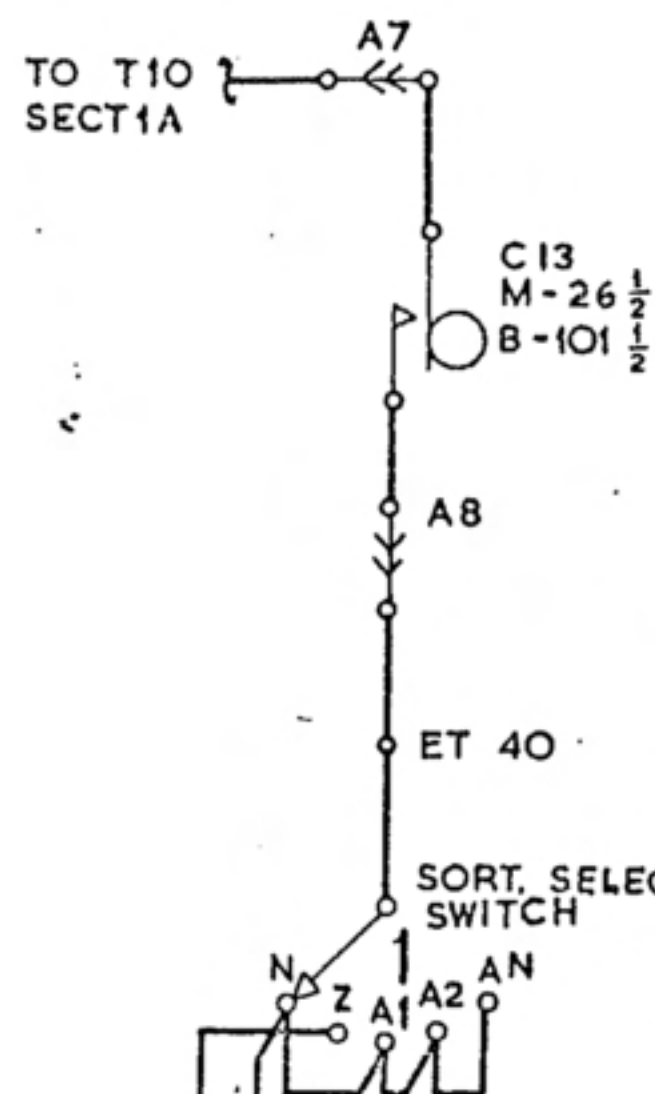


TO 78
SEC 2A



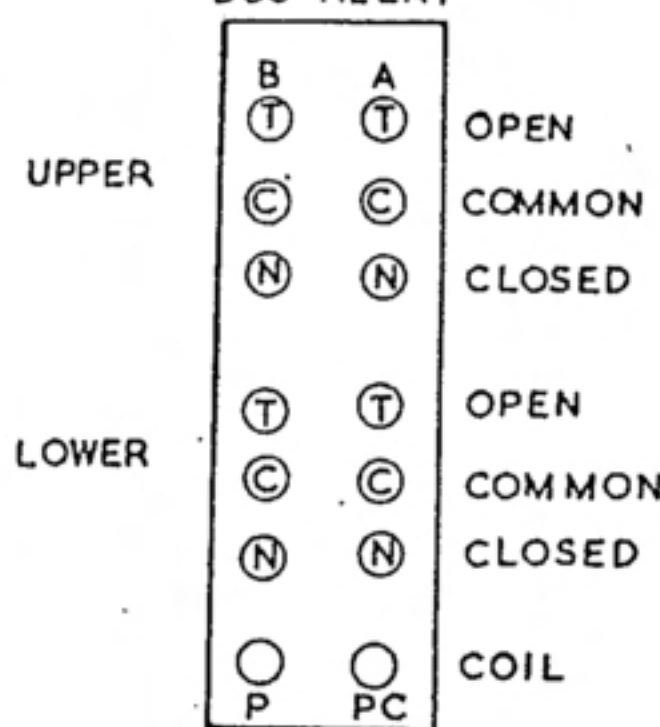
TUBE TRANSFER

JUMPER WIRES FROM R1 TO R10 NOT NECESSARILY JUMPERED TOGETHER AS SHOWN.

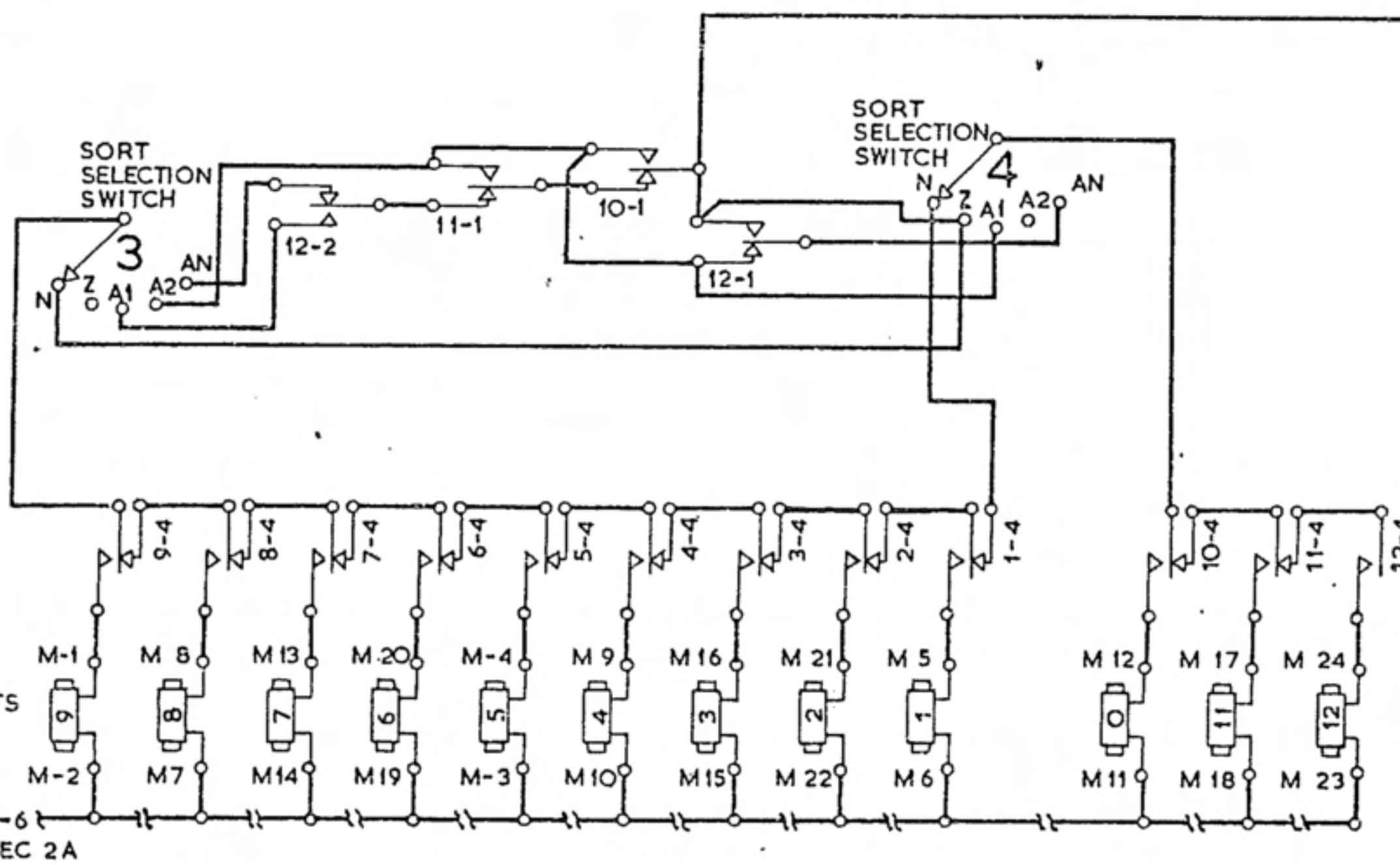
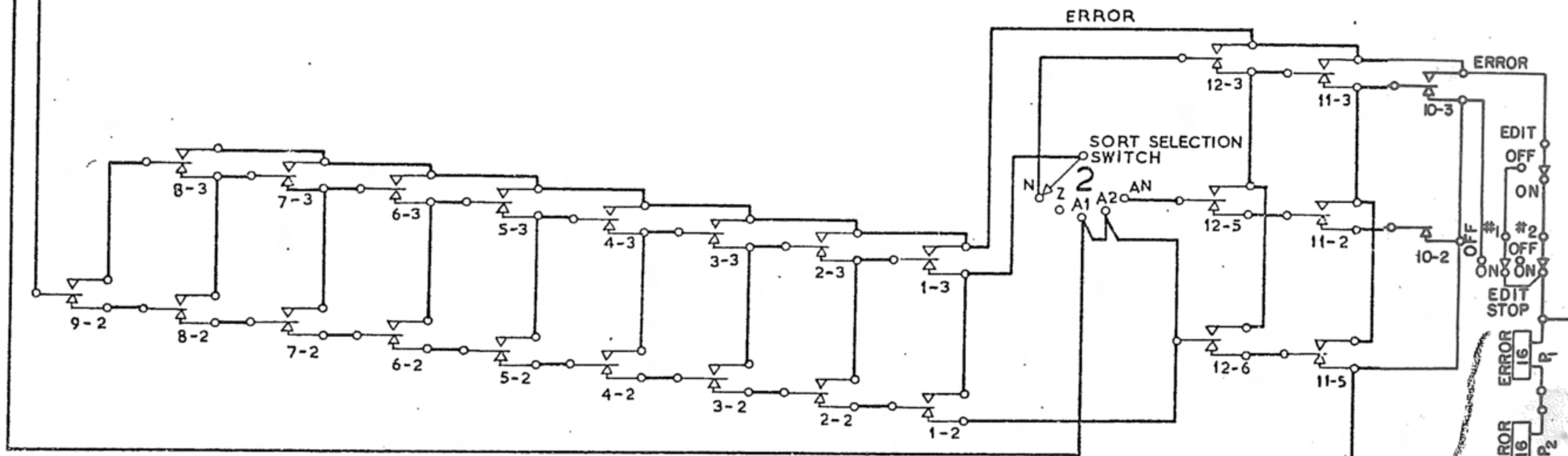
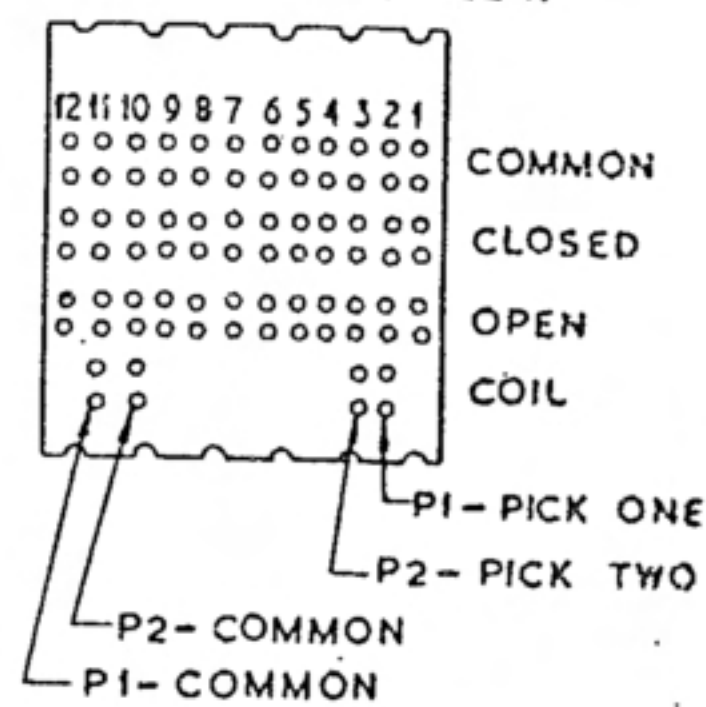


EDIT AND SORT CIRCUITS

TYPICAL DUO RELAY



12 POSITION WIRE CONTACT RELAY



16-1 NO 250 CRT

MISCELLANEOUS RELAYS

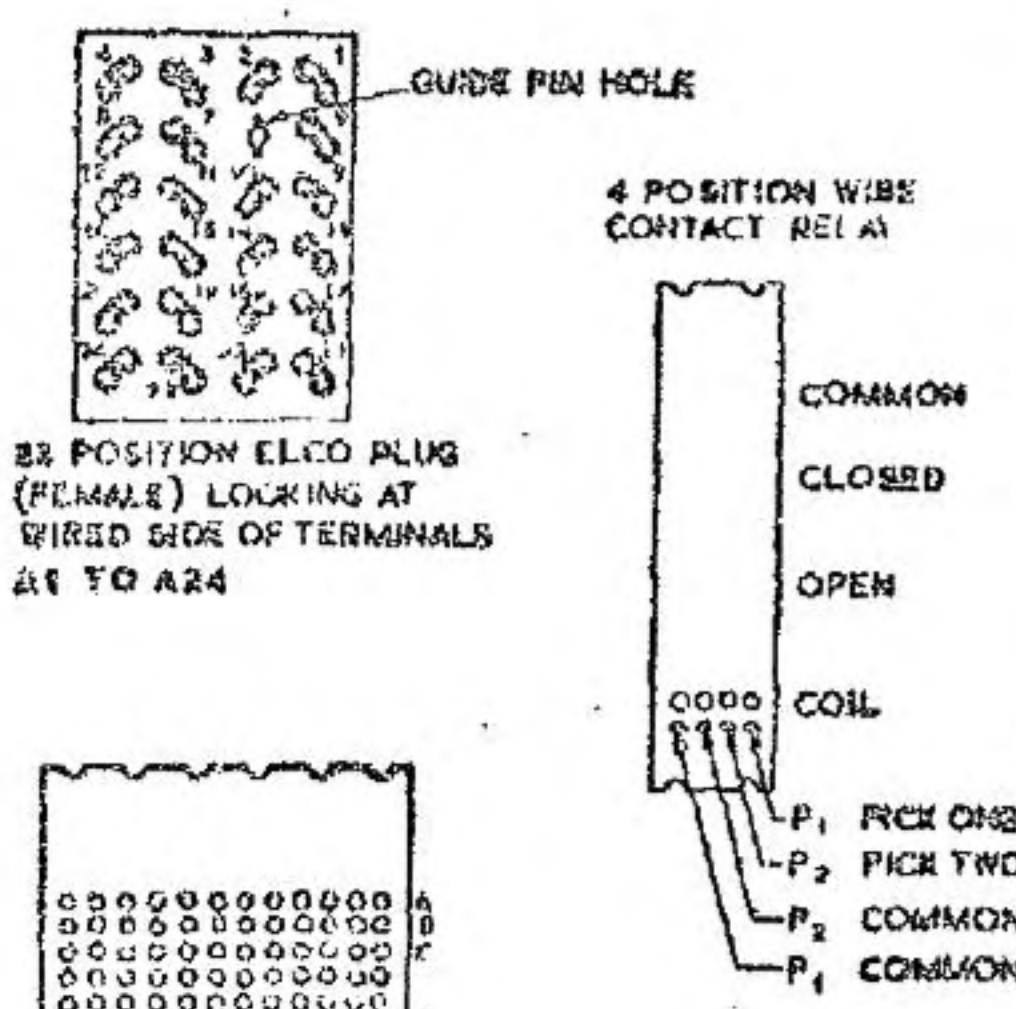
RELAY	COIL	CONTACT POINTS				NAME	PART No
		HD	AU	AL	BU BL		
TH	2A			2A	2A 2A	THERMAL RELAY	206314
CS	2B			3A	2A	COVER SWITCH	122537
HD-1	2A	1A				HEAVY DUTY 1	72916
HD-2	2A	1A				HEAVY DUTY 2	72918

WIRE CONTACT RELAYS

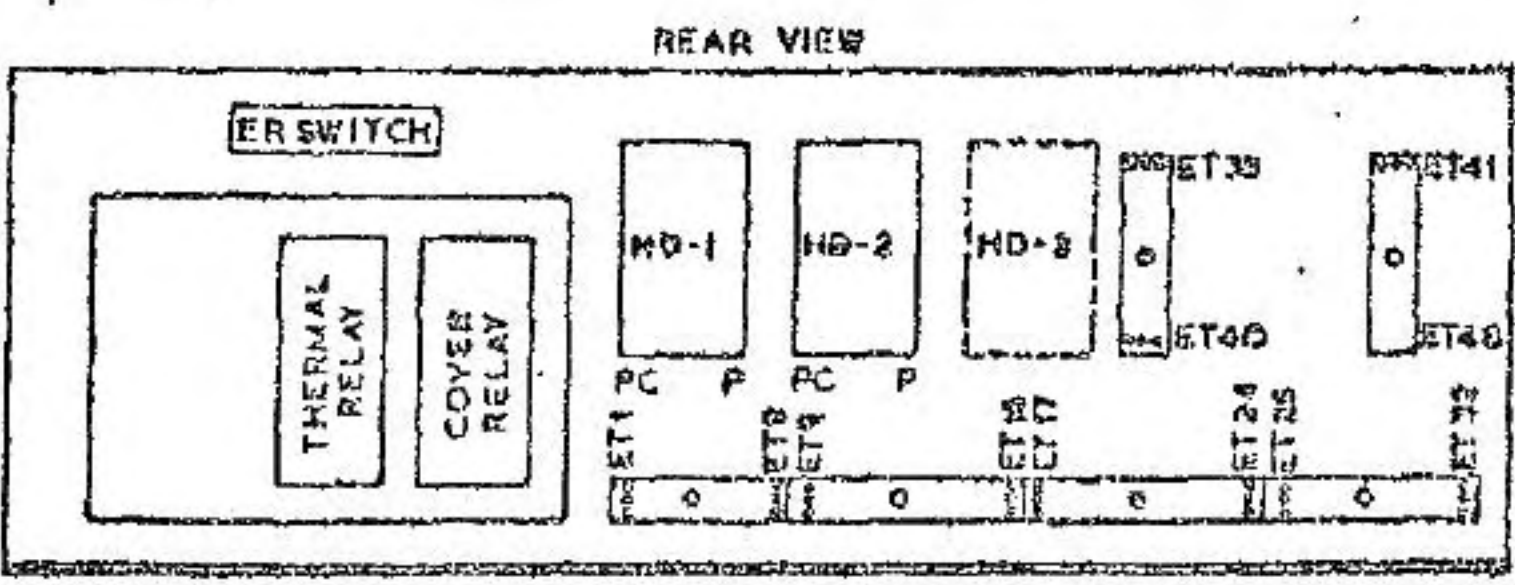
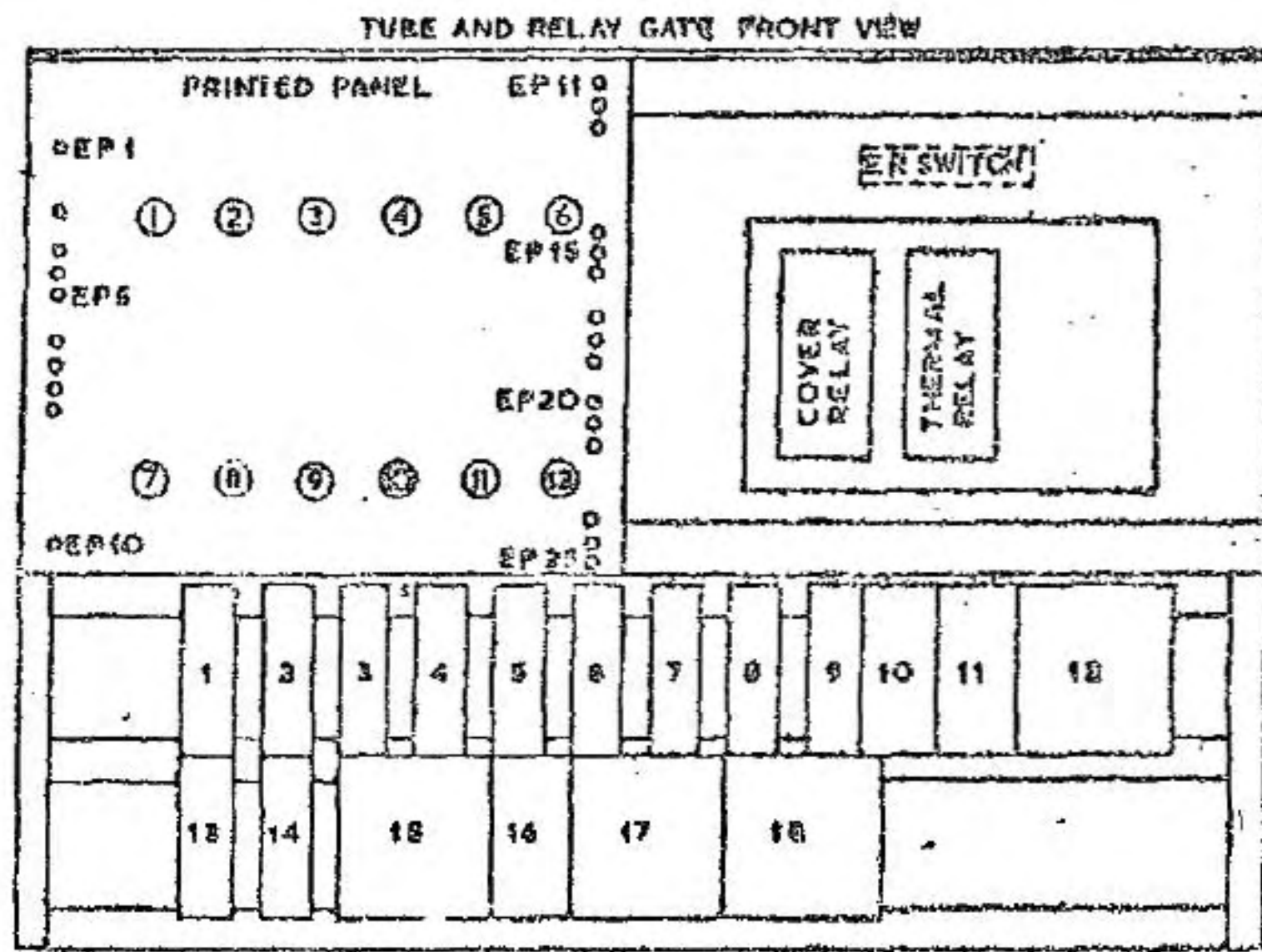
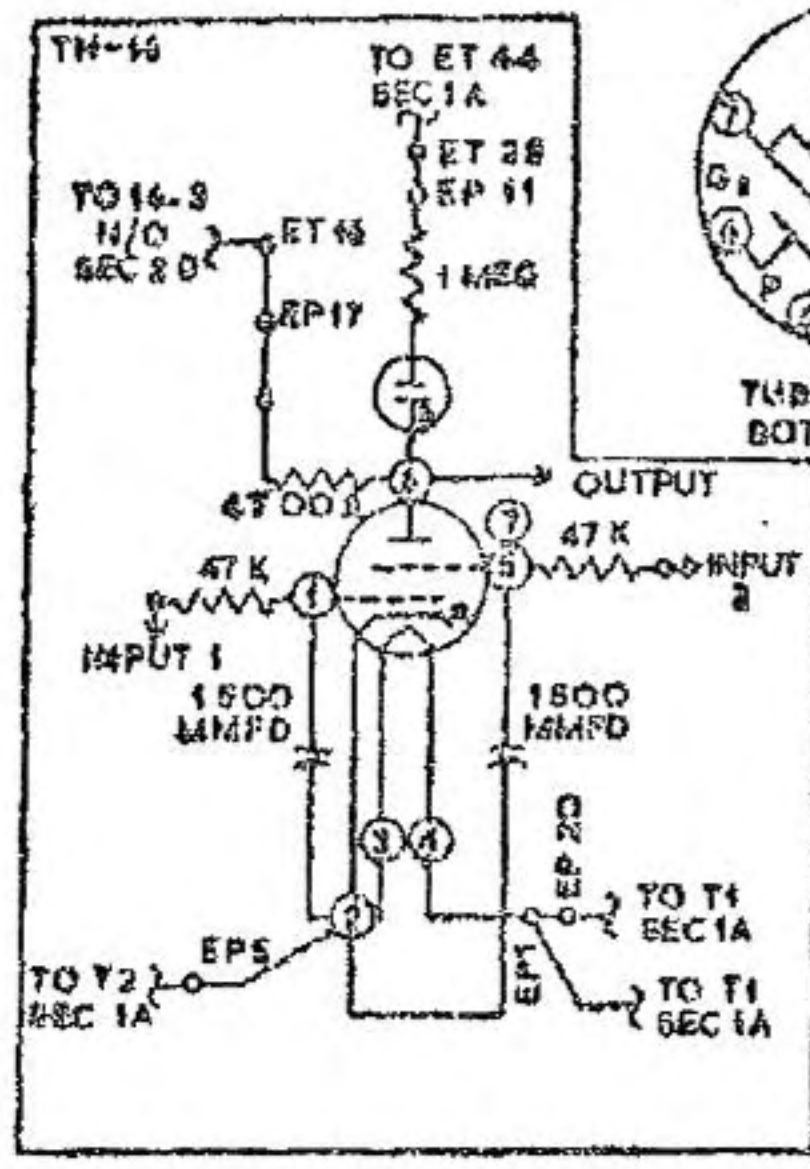
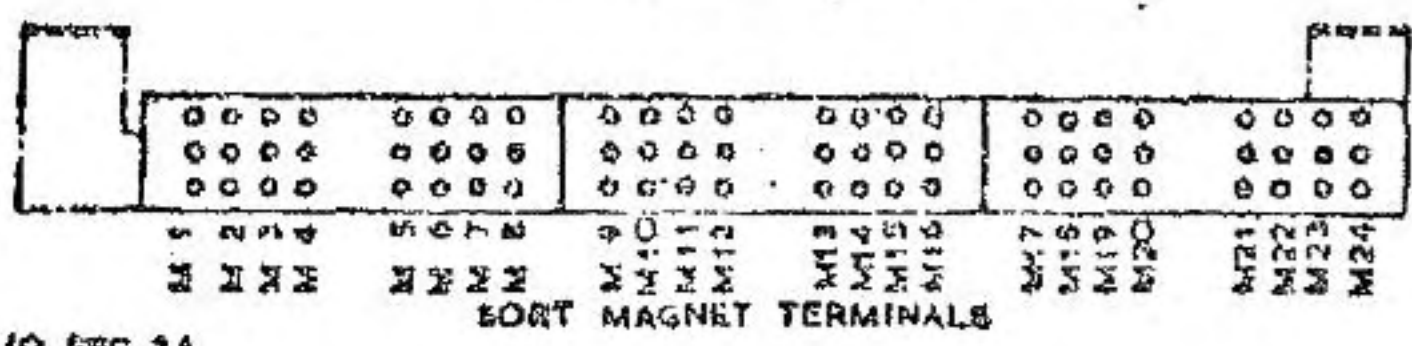
RELAY No.	COILS		CONTACT POINTS												NAME	SIZE	TYPE	PART NUMBER		
	P1	P2	1	2	3	4	5	6	7	8	9	10	11	12						
1	6A	6A	6A	8A	8A	7B											1 SORT CONTROL RELAY	4	2P	196207
2	6B	6B	6B	8A	8A	7B											2 SORT CONTROL RELAY	4	2P	196207
3	6B	6B	6B	8A	8A	7B											3 SORT CONTROL RELAY	4	2P	196207
4	6B	6B	6B	7A	7A	7B											4 SORT CONTROL RELAY	4	2P	196207
5	6B	6B	6B	7A	7A	7B											5 SORT CONTROL RELAY	4	2P	196207
6	6B	6B	6B	7A	7A	7B											6 SORT CONTROL RELAY	4	2P	196207
7	6B	6B	6B	7A	7A	7B											7 SORT CONTROL RELAY	4	2P	196207
8	6B	6B	6B	7A	7A	7B											8 SORT CONTROL RELAY	4	2P	196207
9	6B	6B	6B	7A		7B											9 SORT CONTROL RELAY	4	2P	196207
10	6A	6A	7B	8A	8A	8B	6A										10 SORT CONTROL RELAY	6	2P	196197
11	6A	6A	7B	8A	8A	8B	8A	6A									11 SORT CONTROL RELAY	6	2P	196197
12	6A	6A	7B	7B	8A	8B	8A	8A	6A								12 SORT CONTROL RELAY	12	2P	196187
13	2A	2A	2A	2A	2A	2A											START	4	2P	196207
14	2B	2B	2B	2A	2A	3A											CARD LEVER	4	2P	196207
15	2B	2B	6A	6B	6B	6B	6B	6B	6B	6B	6A	6A	6A				TUBE TRANSFER	12	2P	196187
16	8A	8A	2A	2A	2B		2B	3A									ERROR	6	2P	196197

STANDARD CODE	DATE	CHANGE No.
	MAY 23 62	16 61520
	MAY 23 62	TC 61610
	DEC 12 62	TC 61785
	MAR 6 63	TC 61670
	FEB 10 63	TC 62350

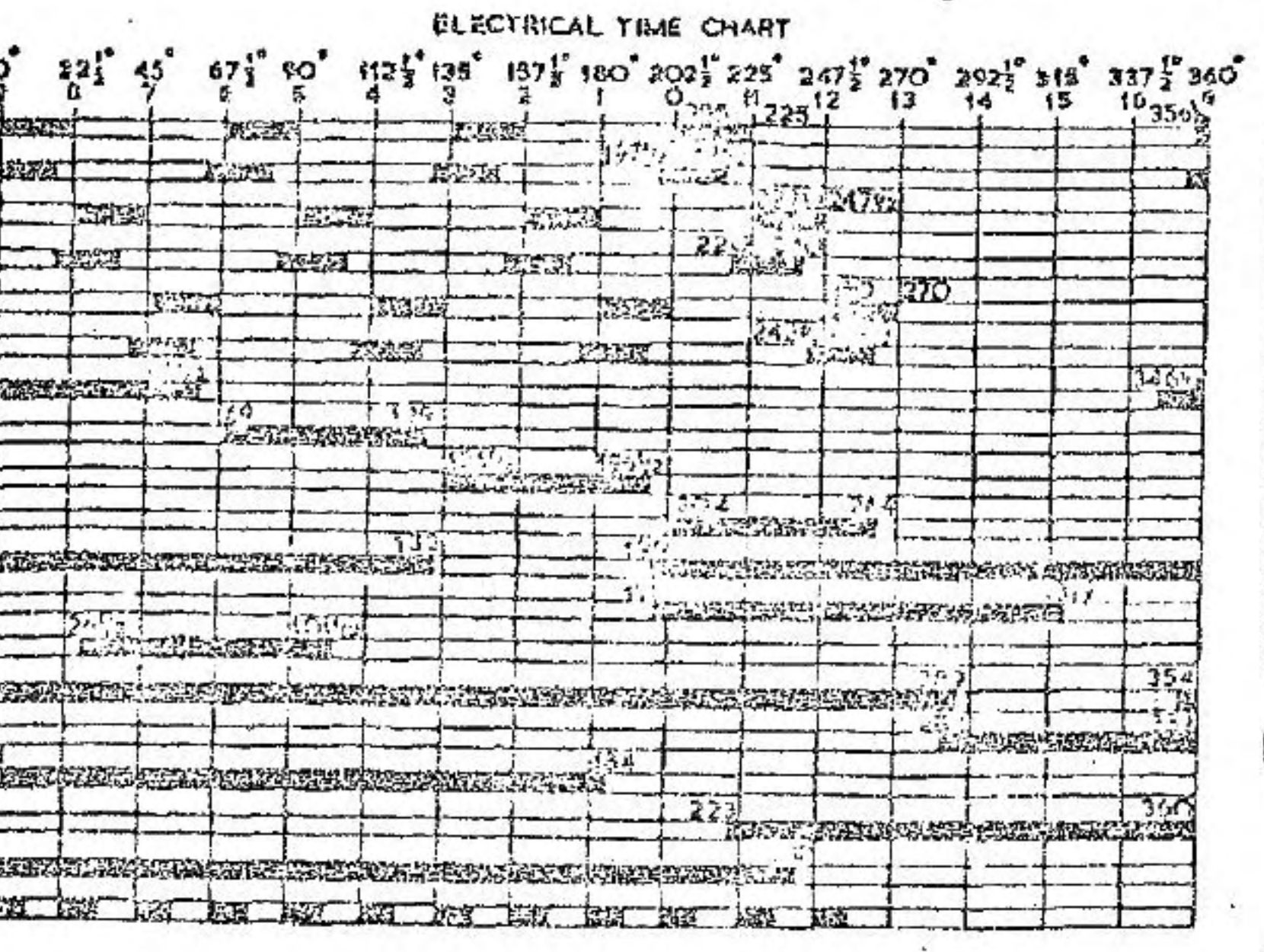
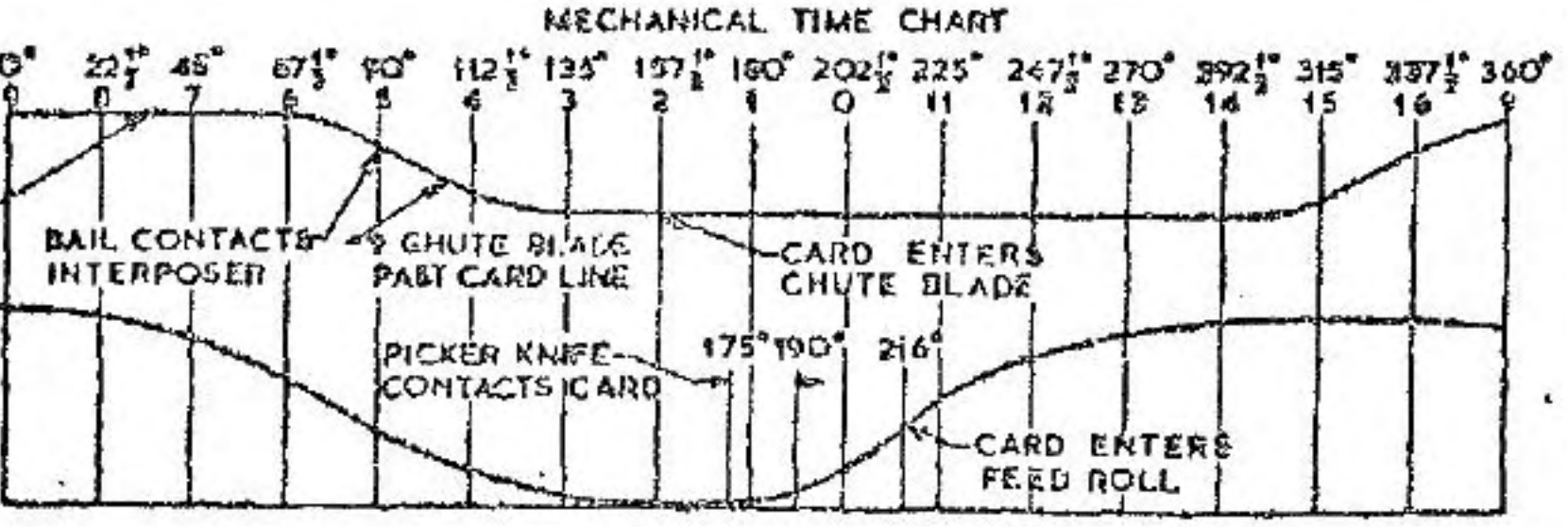
NAME	LOCN
CARD LEVER SWITCH	2B
START KEY	2A
STOP KEY	2A
COVER SWITCH	2A
JAM SWITCH	2A
SOFT SWITCH No. 2	2A
POCKET STOP CONTACT	2A
SOFT STOP SWITCH 1	6A
SOFT STOP SWITCH 2	8A
SOFT SELECTION SWITCH	2B
SOFT BRUSH	2A
SOFT SWITCH	2A
SOFT SUPPRESS SWITCHES	6
BC UNIT 17	2A
BC UNIT 18	2A
CARD DECK SWITCH	2A
BC UNIT 19	6A
ERROR INDICATION	20A, 21A
BC COVER SWITCH	2A
SOFT SWITCH No. 1	2A



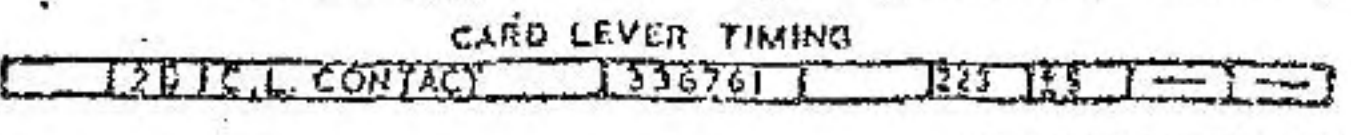
32 POSITION ELCO PLUG (FEMALE) LOCKING AT WIRED SIDE OF TERMINALS A1 TO A24



SORTING PHASE SWITCH POSITION	POCKETS												EDIT OR EDIT STOP ON	
	9	8	7	6	5	4	3	2	1	0	11	12	BLANKS	ERRORS
NUMERIC	9	8	7	6	5	4	3	2	1	0	11	12	BLANKS	MORE THAN ONE PUNCH
ZONE													1-9 A 12	MORE THAN ONE ZONE
ALPHABET 1	I	H	G	F	E	D	C	B	A	0	11	12	1-9 A 12	MORE THAN ONE ZONE OR DIGIT
ALPHABET 2	RZ	QY	PX	OW	INV	MU	LT	KS	J				NUMBERS	MORE THAN ONE ZONE OR DIGIT
ALPHABET NUMERIC	9	8	7	6	5	4	3	2	1	0	11	12	BLANKS	MORE THAN ONE ZONE OR DIGIT



CAM No.	LOCN	NAME	CAM PART NUMBER	STYLE	MAKE TIME	TOL DEG	BREAK TIME	TOL DEG
1	4A	CODING CAM	336712		205	1 1/2	225	11
2	5A	CODING CAM	336118		197 1/2	1 1/2	217 1/2	11
3	4A	CODING CAM	336118		227 1/2	1 1/2	247 1/2	11
4	4A	CODING CAM	336118		220	1 1/2	220	11
5	3A	CODING CAM	336118		250	1 1/2	270	11
6	3A	CODING CAM	336118		247 1/2	1 1/2	272 1/2	11
7	3B	CODING CAM	336119		240 1/2	1 1/2	257 1/2	11-0
8	3B	CODING CAM	336116		82	1 1/2	122	11-0
9	3B	CODING CAM	336116		133 1/2	1 1/2	196 1/2	11-0
10	2A	CODING CAM	336116		204	1 1/2	204	11-0
11	4A	DELAY PICK	336121		190	1 1/2	191	11
12	2A	TUBE TRANSFER	336120		190	1 1/2	190	11
13	7A	ZONE PLUG	336119		205	1 1/2	205 1/2	11
14	2A	CARD LEVER HOLD	336121		354	1 1/2	209	11
15	3A	CARD LEVER PICK	336119		483	1 1/2	259	11
16	2B	CARD COUNTER	336117		2	1 1/2	184	11



IBM UNITED KINGDOM LTD.	
MACH. CARD SORTING MACHINE	
NO.	003
NAME WIRING DIAGRAM -	
SORTER (NUMERIC)	
DRAWN	SCALE
CHECKED	DATE
APPROVED	INITIALS